

# Gyon SDI

MPR 3900+2950 lm 77 W 840 L2266mm FO IP20 white

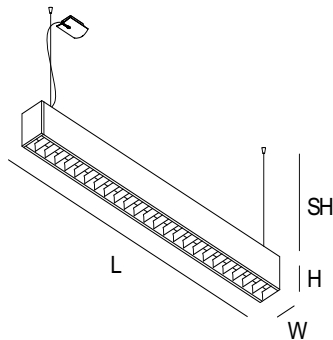
ARTICLE NO: 13635471271



● White structure



## Dimension



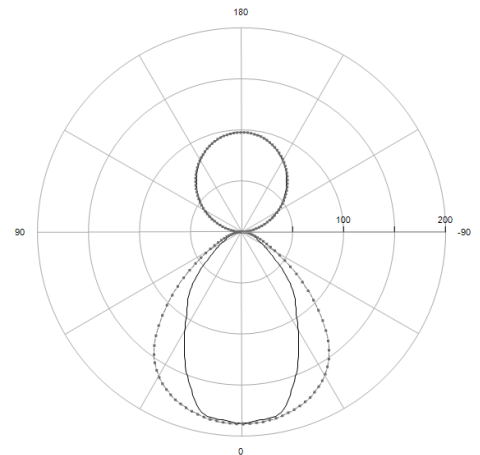
**Dimension** L: 2266 W: 70 H: 88 SH: 1500

(mm):

## Product description

**Installation** Suspended (SDI) **Optic** Micro prismatic polycarbonate diffuser  
**Nominal Luminaire Luminous flux** 3900+2950 lm **Light source luminous flux** 10950 lm **Power** 77 W **Correlated colour temperature - CCT** 4000 K  
**Colour Rendering Index - CRI** 80 **Chromaticity tolerance (initial MacAdam)** 3  
**Lumen maintenance factor** 50000h L80 B10 at 35°C **Driver** LED driver with fixed output **Power supply** 230V 50Hz **IP Protection** IP20 **IK Protection** IK08 **Weight** 9,40 kg **EAN number** 3831121004410 **Energy class** A++

## Photometry



### Light output ratio

LOR	62
ULOR	26,8
DLOR	35,2
Total luminous flux	6793
Luminaire efficacy (LEF)	88

### UGR values

X=4H, Y=8H	S = 0,25H
Radiant class	70/50/20
Transverse	16.5
Longitudinal	18.3

### Classification

BZ	BZ 3
UTE	0.35 C + 0.27 T
DIN	C51
CIE	62 89 98 57 62