

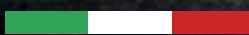
# PIN



EFFICIENTLY SIMPLE

**LOMBARDO**



  
made in Italy

**50**  
1969-2019

# PIN

Il segnapasso PIN è la soluzione ideale per arricchire ambienti sia interni che esterni senza nessuna dispersione luminosa.

Il piccolo apparecchio è disponibile in due diverse versioni per adattare il fascio luminoso al contesto architettonico in cui viene installato.

Nella conformazione asimmetrica la lente dirige la luce verso terra in modo concentrato ed uniforme.

Tramite la versione diffusa si ottiene un'illuminazione tenue, non invadente ma sufficiente per evidenziare le aree di passaggio. Corpo in alluminio pressofuso, con diffusore in vetro temprato e serigrafato, elevata resistenza all'ossidazione grazie al trattamento di cataforesi.

The LED step light PIN is the best solution to enrich every setting, both outdoor and indoor without any light dispersion. This small product is available in two different versions in order to adapt its light beam to every architectural environment. In the asymmetric version the lens directs the light to the ground in a well-defined and uniform beam whereas the diffused light model creates a soft effect able to highlight every walkway.

Body made of EN – AB44100 die-cast aluminum, heat tempered and silk-screen printed glass diffuser and highly resistant to oxidation thanks to cathoresis treatment.

Le projecteur PIN est la solution idéale pour enrichir les espaces intérieurs et extérieurs sans dispersion de lumière. Le petit luminaire est disponible en deux versions différentes pour adapter le faisceau lumineux au contexte architectural dans lequel il est installé. Dans la version asymétrique, la lentille dirige la lumière vers le sol de manière concentrée et uniforme. La version diffusée fournit un éclairage doux, non intrusif mais suffisant pour mettre en valeur les zones de passage. Corps en aluminium moulé, avec diffuseur en verre trempé et sérigraphié, haute résistance à l'oxydation grâce au traitement de cataphorèse.

## Pin, soluzione innovativa a LED. Dentro e fuori casa.

PIN, the innovative LED solution. Indoor & outdoor.

PIN, solution LED innovante. À l'intérieur et à l'extérieur de la maison.



Pin T



Pin T Asimmetrico



Pin Q



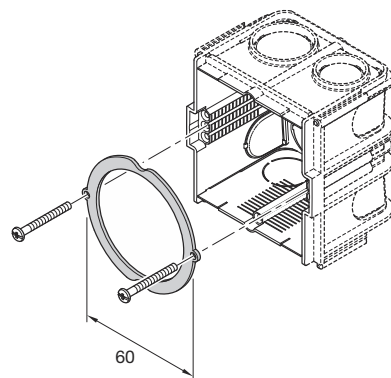
Pin Q Asimmetrico



- Corpo in alluminio pressofuso.
- Diffusore in vetro temprato e serigrafato.
- Led a tensione di rete.
- Predisposto per l'installazione su scatole standard 502.
- Dimmerabile a taglio di fase.
- Fornito con 0,20 m di cavo.

- Body made of die-cast aluminum.
- Heat tempered and silk-screen printed glass diffuser.
- Led ac direct.
- Suitable for installation on standard recess box 502.
- Dimmable phase cut.
- Provided with 0,20 m of cable.

- Corps en aluminium moulé.
- Diffuseur en verre trempé et sérigraphié.
- Led direct ac.
- Convient à une installation avec boîtes standard 502.
- Dimmable coupure de phase.
- Fourni avec 0,20 m de câble.



- Disponibile online download della dima per la ghiera di fissaggio
- Available online template for fixing retaining ring.
- Disponible online gabarit pour bague de fixation.

# Pin

design: Michele Pellegrini

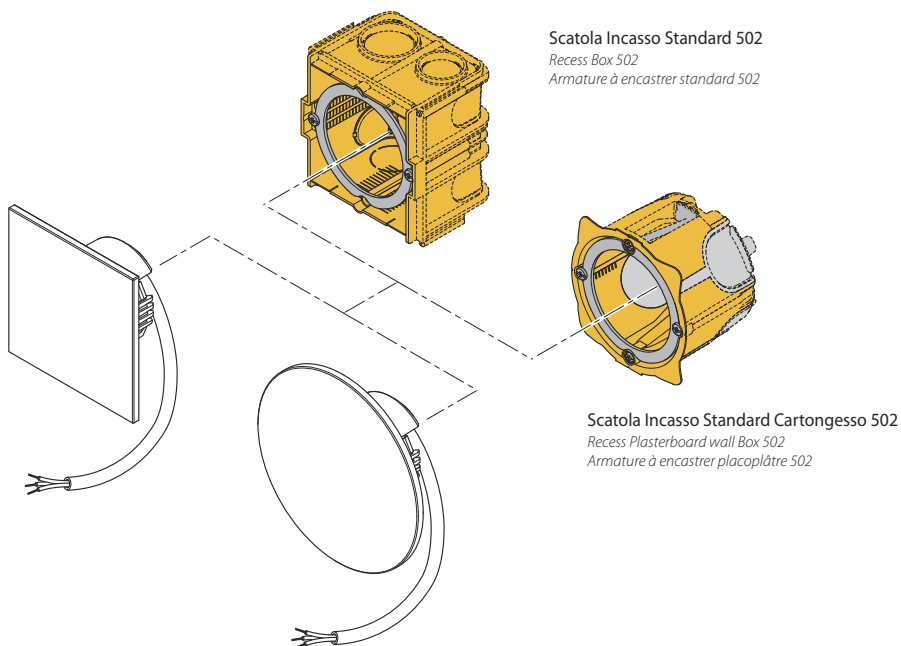
Adatto anche ad uso esterno.  
Corpo in alluminio primario pressofuso EN-AB44100; elevata resistenza all'ossidazione grazie al trattamento di cataforesi.  
Diffusore in vetro temprato e serigrafato.  
Apparecchio inaccessibile fornito con 0.20 m di cavo di alimentazione H05RN-F pre-cablato e resinato.  
LED a tensione di rete.  
Dimmerabile a taglio di fase.  
LED 4000K (N), 3000K (3) o 2700K (2). LED a tensione di rete. Nessun rischio fotobiologico, RG0 gruppo di rischio esente (EN62471).

Suitable for indoor and outdoor use.  
Body made of EN - AB44100 die-cast aluminum primary alloy; highly resistant to oxidation due to cathoresis treatment.  
Heat tempered and silk-screen printed glass diffuser.  
Inaccessible device, provided with 0.20 m of prewired power cable H05RN-F with epoxy resin treatment.  
LED AC direct.  
Dimmable Phase cut.  
LED 4000K (N), 3000K (3) or 2700K (2). LED AC direct.  
No risk of photobiological damage, RG0 group (EN62471).

Également adapté pour l'usage à l'extérieur.  
Corps en aluminium primaire injecté EN-AB44100; haute résistance à l'oxydation grâce au traitement de cathorèse  
Diffuseur en verre trempé et sérigraphié.  
Appareil câblé en usine, fourni avec 0.20 m de câble d'alimentation H05RN-F-pré-câblé.  
LED Direct 220-240.  
Dimmable coupure de Phase.  
LED 4000K (N), 3000K (3) ou 2700K (2) (blanche chaud). LED Direct 220-240. Pas de risque photobiologique, RG0 groupe (EN62471).

## Installazione su scatolette standard 502

Surface mounting on recess box 502 - En saillie sur boîte d'encastrement 502



## Colori disponibili

Available colours - Couleurs disponibles



# Pin

design: Michele Pellegrini



## Pin T



Specif.

Col.

€

Trasp.

(NEW)

IP 66 IK 07 2J xx5 **CE**

LED  
200 lm 2W  
real output lm 110

CL.I **€**

39,00  
 39,00  
 39,00

LL125000   
LL125001   
LL125002   
LL125003

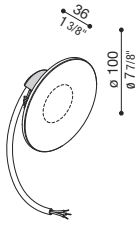
**A+ A+ A++**

led colour

**N** = (4000K)  
**3** = (3000K, lm -5%)  
**2** = (2700K, lm -5%)



= 4



## Pin T Asimmetrico



Specif.

Col.

€

Trasp.

(NEW)

IP 66 IK 07 2J xx5 **CE**

LED  
200 lm 2W  
real output lm 160

CL.I **€**

39,00  
 39,00  
 39,00

LL125004   
LL125005   
LL125006   
LL125007

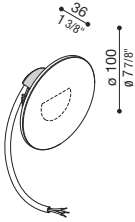
**A+ A+ A++**

led colour

**N** = (4000K)  
**3** = (3000K, lm -5%)  
**2** = (2700K, lm -5%)



= 4



## Pin Q



Specif.

Col.

€

Trasp.

(NEW)

IP 66 IK 07 2J xx5 **CE**

LED  
200 lm 2W  
real output lm 110

CL.I **€**

39,00  
 39,00  
 39,00

LL125008   
LL125009   
LL125010   
LL125011

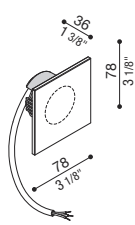
**A+ A+ A++**

led colour

**N** = (4000K)  
**3** = (3000K, lm -5%)  
**2** = (2700K, lm -5%)



= 4



## Pin Q Asimmetrico



Specif.

Col.

€

Trasp.

(NEW)

IP 66 IK 07 2J xx5 **CE**

LED  
200 lm 2W  
real output lm 160

CL.I **€**

39,00  
 39,00  
 39,00

LL125012   
LL125013   
LL125014   
LL125015

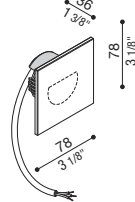
**A+ A+ A++**

led colour

**N** = (4000K)  
**3** = (3000K, lm -5%)  
**2** = (2700K, lm -5%)



= 4





PIN T



PIN Q

### Scatola incasso standard 502



(NEW)

*Recess Box 502*

*Armature à encastrer standard 502*

€	Cod.
3,50	LB1250001

 = 1

### Scatola incasso standard cartongesso 502



(NEW)

*Recess Plasterboard wall Box 502*

*Armature à encastrer placoplâtre 502*

€	Cod.
4,50	LB11693

 = 1

# Kit Pin

design: Michele Pellegrini

**Kit-01/03:** composto da Pin T/Q + Scatola standard 502.

**Kit-02/04:** Composto da Pin T/Q Asimmetrico + Scatola standard 502.

Adatto anche ad uso esterno. Deflettore in alluminio.

Corpo in alluminio primario pressofuso EN-AB44100; elevata resistenza all'ossidazione grazie al trattamento di cataforesi.

Diffusore in vetro temprato e serigrafato.

Apparecchio inaccessibile fornito con 0.20 m di cavo di alimentazione H05RN-F pre-cablato e resinato.

LED a tensione di rete.

Dimmerabile in taglio di fase.

LED 4000K (N), 3000K (3) o 2700K (2), LED a tensione di rete. Nessun rischio

foto-biologico, RG0 gruppo di rischio esente (EN62471).

**Kit-01/03:** consisting of Pin T/Q + Recess Box 502. Suitable for indoor and outdoor use.

**Kit-02/04:** consisting of Pin T/Q Asimmetrico + Recess Box 502.

Suitable for indoor and outdoor use. Deflector made of aluminum.

Body made of EN - AB44100 die-cast aluminum primary alloy; highly resistant to oxidization due to cathodoresis treatment.

Heat tempered and silk-screen printed glass diffuser. Inaccessible device, provided with 0.20 m of prewired power cable H05RN-F with epoxy resin treatment.

LED AC direct. Dimmable phase cut.

LED 4000K (N), 3000K (3) or 2700K (2). LED, LED AC direct. No risk of photobiological damage, RG0 group (EN62471).

**Kit-01/03:** composé de Pin T/Q + boîte standard 502.

**Kit-02/04:** composé de Pin T/Q Asimmetrico + boîte standard 502.

Egalement adapté pour l'usage à l'extérieur. Réflecteur en aluminium.

Corps en aluminium primaire injecté EN-AB44100; haute résistance à l'oxydation grâce au traitement de cathodoresis.

Diffuseur en verre trempé et sérigraphié.

Appareil câblé en usine, fourni avec 0.20 m de câble d'alimentation H05RN-F-pré-câblé.

LED Direct 220-240.

Dimmable coupure de Phase.

LED 4000K (N), 3000K (3) ou 2700K (2) (blanche chaud). LED Direct 220-240. Pas de risque photobiologique, RG0 groupe (EN62471).



Kit 01 - Pin T



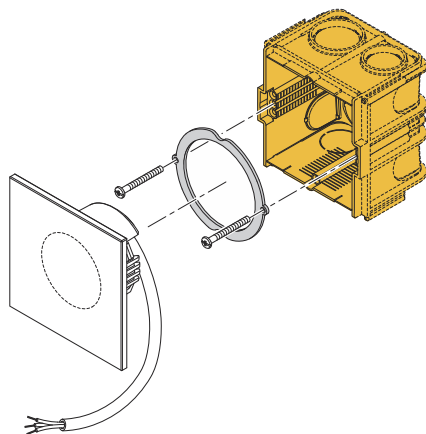
Kit 02 - Pin T Asimmetrico



Kit 03 - Pin Q



Kit 04 - Pin Q Asimmetrico



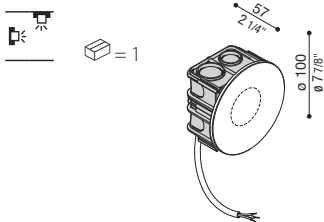
## Kit 01 - Pin T

IP 66 IK 07 2J xx5

KIT composto da Pin T + LB1250001.

Kit consisting of Pin T + LB1250001.

Kit composé des Pin T + LB1250001.



LED	Specif.	Col.	€	Trasp.
LED			42,50	LL125100
200 lm 2W	CL.I		42,50	LL125101
real output lm 110			42,50	LL125102
			42,50	LL125103

A+ A+ A+

led colour

**N** = (4000K)

**3** = (3000K, lm -5%)

**2** = (2700K, lm -5%)

NEW

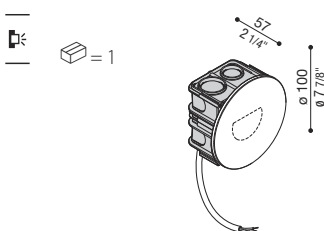
## Kit 02 - Pin T Asimmetrico

IP 66 IK 07 2J xx5

KIT composto da Pin T Asimmetrico + LB1250001.

Kit consisting of Pin T Asimmetrico + LB1250001.

Kit composé des Pin T Asimmetrico + LB1250001.



LED	Specif.	Col.	€	Trasp.
LED			42,50	LL125104
200 lm 2W	CL.I		42,50	LL125105
real output lm 160			42,50	LL125106
			42,50	LL125107

A+ A+ A+

led colour

**N** = (4000K)

**3** = (3000K, lm -5%)

**2** = (2700K, lm -5%)

NEW



## Kit 03 - Pin Q

IP 66 IK 07 2J xx5

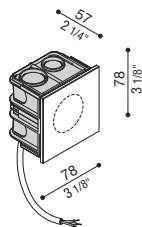
KIT composto da Pin Q + LB1250001.

Kit consisting of Pin Q + LB1250001.

Kit composé des Pin Q + LB1250001.



= 1



LED  
200 lm 2W  
real output lm 110

Specif.

CL.I

Col.



€

42,50  
42,50  
42,50  
42,50

Trasp.

LL125108   
LL125109   
LL125110   
LL125111

led colour

N = (4000K)  
 3 = (3000K, lm -5%)  
 2 = (2700K, lm -5%)

(NEW)



## Kit 04 - Pin Q Asimmetrico

IP 66 IK 07 2J xx5

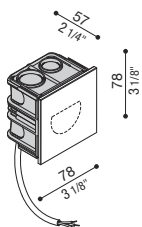
KIT composto da Pin Q Asimmetrico + LB1250001.

Kit consisting of Pin Q Asimmetrico + LB1250001.

Kit composé des Pin Q Asimmetrico + LB1250001.



= 1



LED  
200 lm 2W  
real output lm 160

Specif.

CL.I

Col.



€

42,50  
42,50  
42,50  
42,50

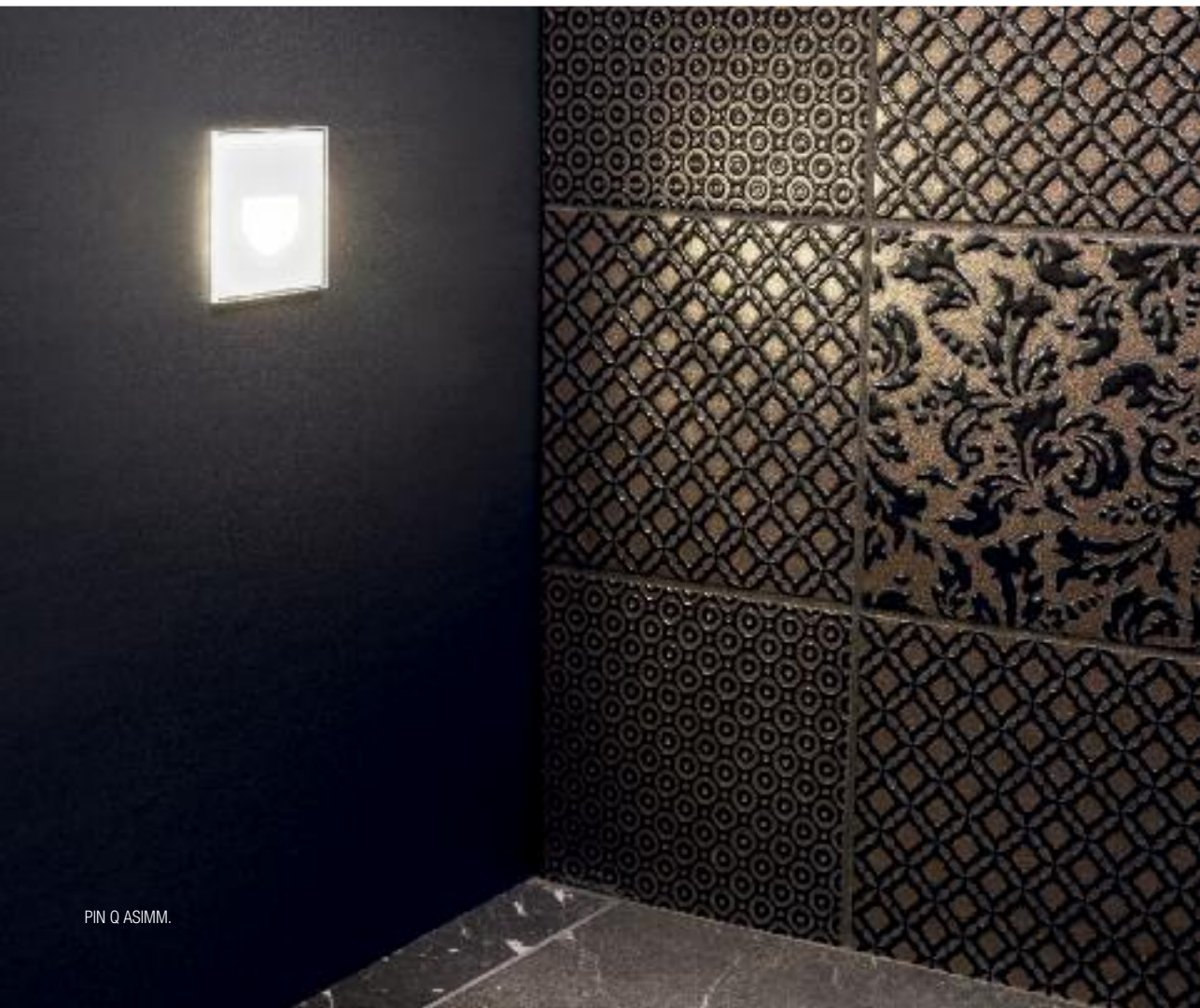
Trasp.

LL125112   
LL125113   
LL125114   
LL125115

led colour

N = (4000K)  
 3 = (3000K, lm -5%)  
 2 = (2700K, lm -5%)

(NEW)





PIN Q ASIMM.

# PIN

**LOMBARDO**



  
made in Italy

